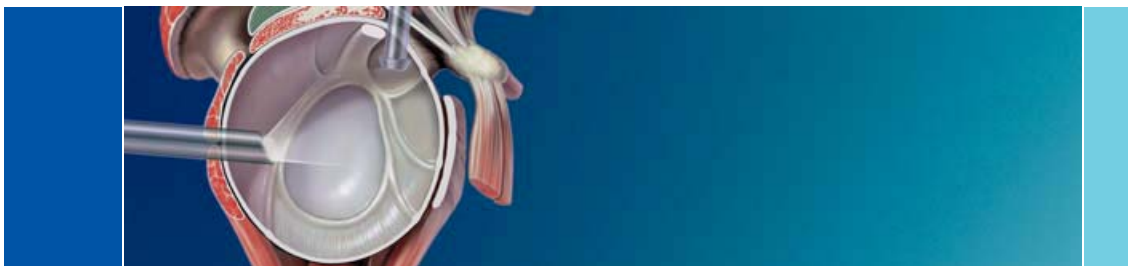


SPS – Secure Portal System™

Dr. Georg Lajtai, M.D., Althofen, Austria



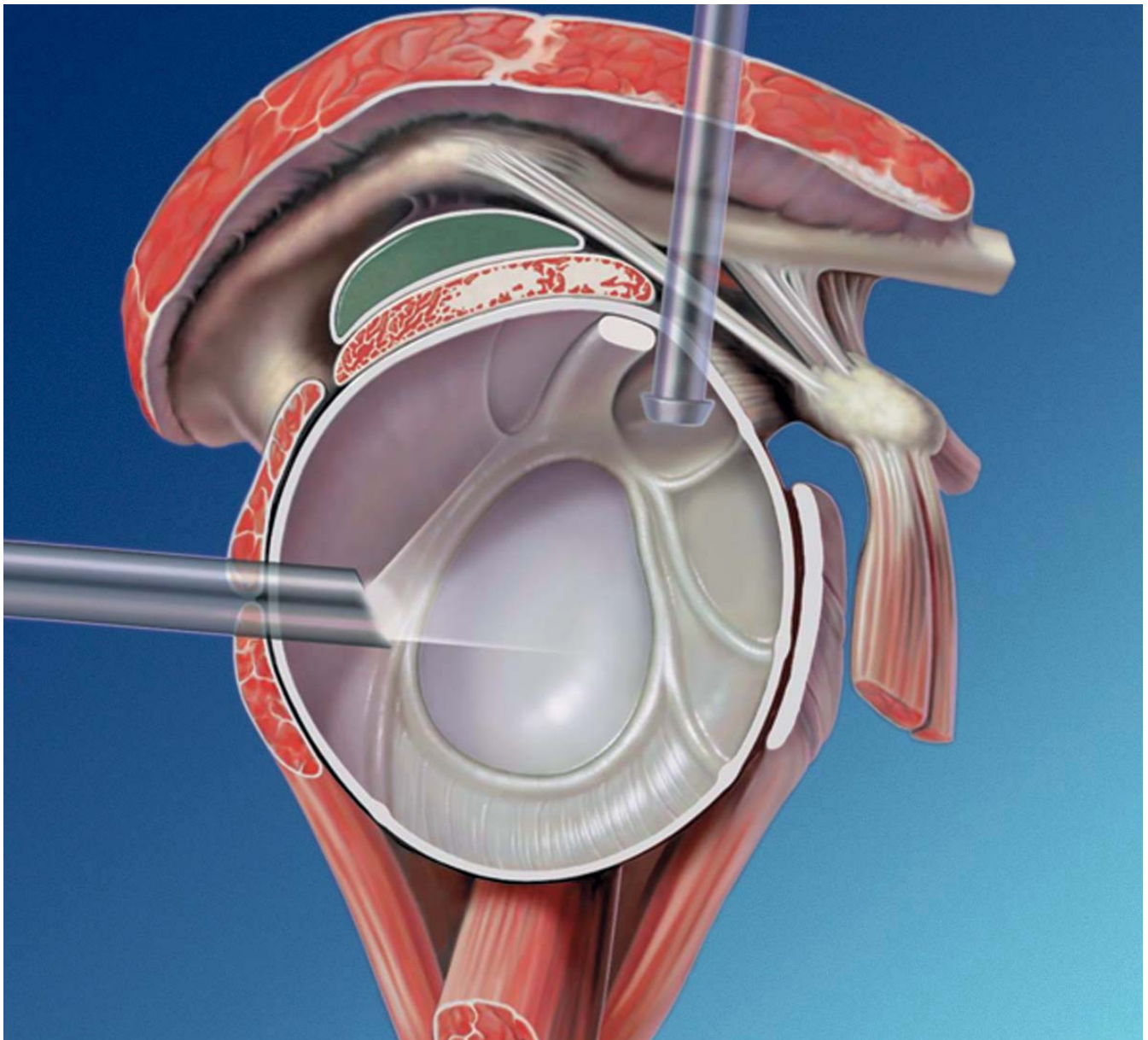
SPS – Secure Portal System™

The SPS system facilitates the positioning of the portals during shoulder arthroscopy and offers better support for the trocar sheaths introduced by protecting the surrounding soft tissue.

The atraumatic and targeted insertion of the positioning needle makes it possible to introduce both the subsequent dilatation system as well as the trocar sheath system into the shoulder joint without any problems. It is possible to probe the target structures in this joint in advance with the positioning needle, whereby it is also

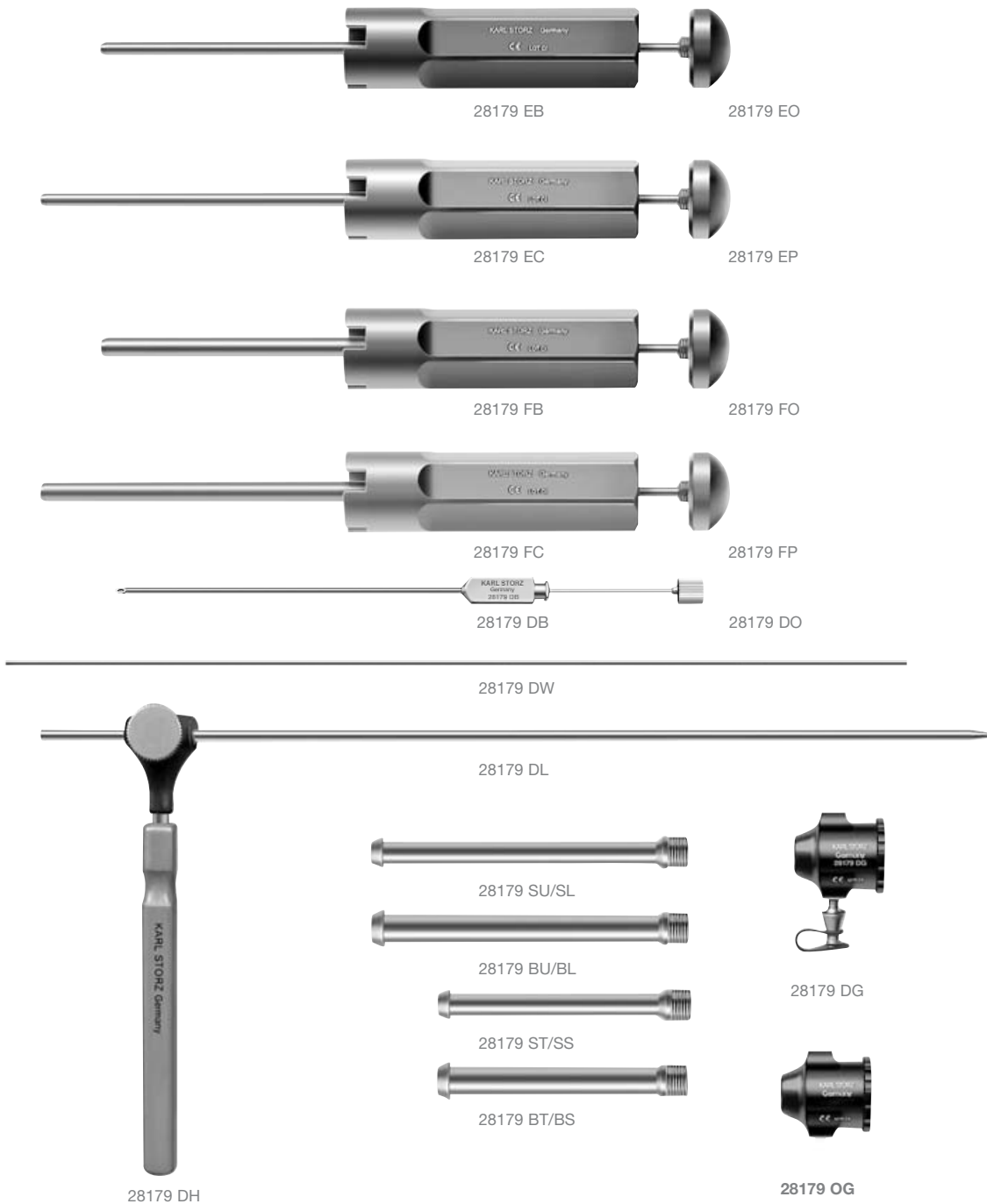
possible to confirm the correct position of the trocar sheath to be inserted. If the positioning needle is unable to reach the desired areas, it can be easily repositioned without trauma to the soft tissue.

The individual steps during the insertion of the trocar sheath system are arthroscopically controlled, which prevents damage when the joint is entered.



SPS – Secure Portal System™

Recommended set according to Dr. LAJTAI



Optional:

For the respective sets, the handle 28179 DH is available to facilitate the insertion of the dilator 28179 DL. As an alternative to the multi-use trocar cannulas, these are also available as sterile, single-use devices made of clear plastic packages with 10 cannulas each

SPS – Secure Portal System™

28179 E	Basic Set for the SPS consisting of:
28179 DB	Spinal Needle
28179 DO	Obturator
28179 DW	Guide Wire (6 pieces)
28179 DL	Dilator
28179 DH	Handle for 28179 DL
28179 DG	Housing
28179 GU	Gaskets , non sterile (10 ea.)

For a working configuration, one of the following sets will be needed:

1. For diameter 6.1 mm, length 70 cm

28179 EB	Handle
28179 EO	Obturator for 28179 EB
28179 ST	Cannula , metal, reusable <i>or:</i>
28179 SS	Cannula , transparent, single use, sterile

2. For diameter 6.1 mm, length 85 mm

28179 EC	Handle
28179 EP	Obturator for 28179 EC
28179 SU	Cannula , metal, reusable <i>or:</i>
28179 SL	Cannula , transparent, single use, sterile

3. For diameter 8.25 mm, length 70 mm

28179 FB	Handle
28179 FO	Obturator for 28179 FB
28179 BT	Cannula , metal, reusable <i>or:</i>
28179 BS	Cannula , transparent, single use, sterile

4. For diameter 8.25 mm, length 85 mm

28179 FC	Handle
28179 FP	Obturator for 28179 FC
28179 BU	Cannula , metal, reusable <i>or:</i>
28179 BL	Cannula , transparent, single use, sterile

Optional:

28179 GS	Set of Gaskets , 10 x 2 Sealing Caps, sterile
28179 GU	Set of Gaskets , 10 x 2 Sealing Caps, non-sterile
28179 OG	Housing for the use with cannulas. To be used with the set of gaskets 28179 GS. Without LUER-Lock

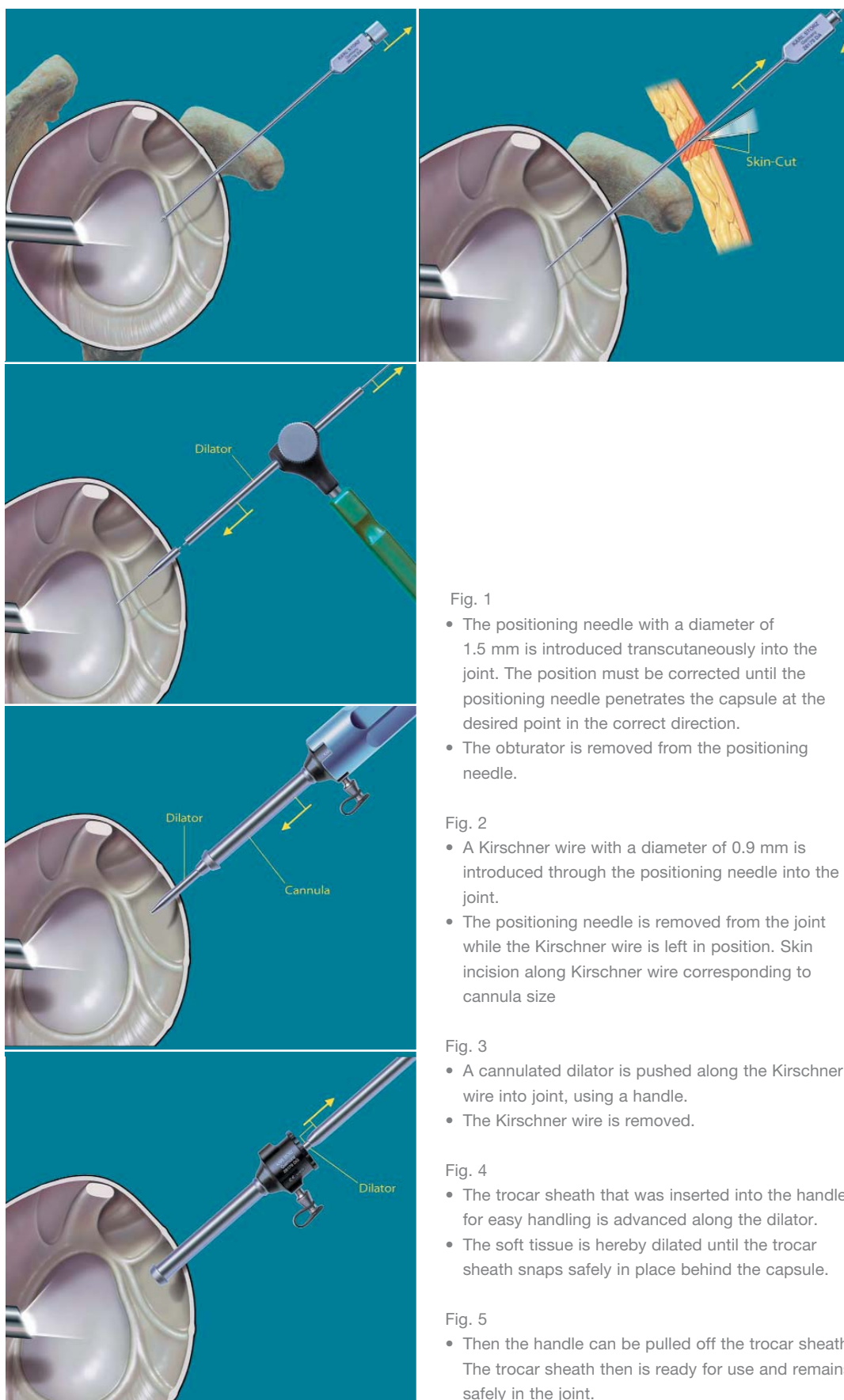


Fig. 1

- The positioning needle with a diameter of 1.5 mm is introduced transcutaneously into the joint. The position must be corrected until the positioning needle penetrates the capsule at the desired point in the correct direction.
- The obturator is removed from the positioning needle.

Fig. 2

- A Kirschner wire with a diameter of 0.9 mm is introduced through the positioning needle into the joint.
- The positioning needle is removed from the joint while the Kirschner wire is left in position. Skin incision along Kirschner wire corresponding to cannula size

Fig. 3

- A cannulated dilator is pushed along the Kirschner wire into joint, using a handle.
- The Kirschner wire is removed.

Fig. 4

- The trocar sheath that was inserted into the handle for easy handling is advanced along the dilator.
- The soft tissue is hereby dilated until the trocar sheath snaps safely in place behind the capsule.

Fig. 5

- Then the handle can be pulled off the trocar sheath. The trocar sheath then is ready for use and remains safely in the joint.



WWW.KARLSTORZ.COM

ENDOWORLD®

In cooperation with Univ. Doz. Dr. Georg Lajtai, M.D.,
Medical Director, Sports Medicine
Altis-Zentrum für Sportchirurgie,
Althofen, Austria

KARL STORZ GmbH & Co. KG
Mittelstraße 8, 78532 Tuttlingen, Germany
Postfach 230, 78503 Tuttlingen, Germany
Telefon: +49 (0)7461 708-0
Telefax: +49 (0)7461 708-105
E-Mail: info@karlstorz.de
www.karlstorz.com

KARL STORZ Sports Medicine, Inc.
1 Pine Hill Drive, Suite 105
Batterymarch Park II
Quincy, MA 02169
Phone +1 866-550-2663 (toll free)
Fax +1 617-376-2107



KARL STORZ – SPORTS MEDICINE, Inc.

STORZ
KARL STORZ – ENDOSKOPE
THE DIAMOND STANDARD

© EW OSM 21-5-E/12-2005